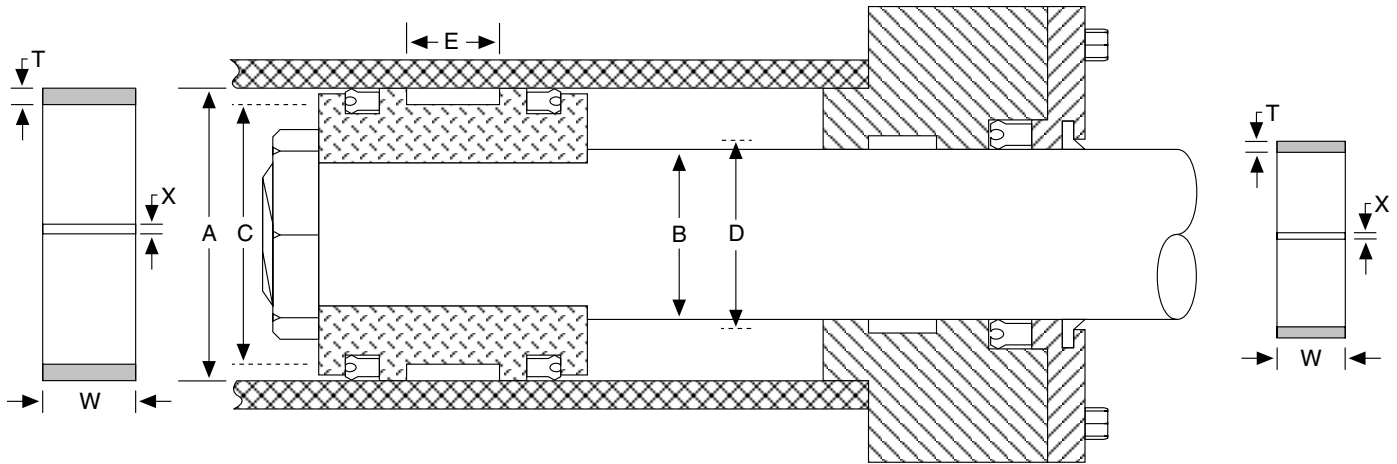


NYLON WEAR RING TECHNICAL INFORMATION



- A - CYLINDER BORE
- B - ROD DIAMETER
- C - MINIMUM BORE "A" MINUS .253/.256
- D - MAXIMUM ROD DIAMETER "B" PLUS .253/.256
- E - GROOVE WIDTH
- T - THICKNESS OF WEAR RING
- W - WIDTH OF WEAR RING
- X - MINIMUM RING GAP

Groove Dimensions For Standard Wear Ring Widths

1/2" Width			5/8" Width			3/4" Width			1" Width		
E	T	X	E	T	X	E	T	X	E	T	X
.515"	.125"	1/16"	.640"	.125"	1/16"	.765"	.125"	1/16"	1.015"	.125"	1/16"
.510"	.122"		.635"	.122"		.760"	.122"		1.010"	.122"	

Cut Down Factors For Standard Wear Rings

In many cases an oversized nylon wear ring can be cut down to fit a smaller groove without a loss of concentricity. Use the following guide when cutting down wear rings.

Wear Ring OD	Maximum amount to be Cut Down
4" OD	3/8" of circumference
4-1/2" - 6-1/2" OD	1/2"
7" -9" OD	1"
9-1/2" - 14" OD	1-1/2"

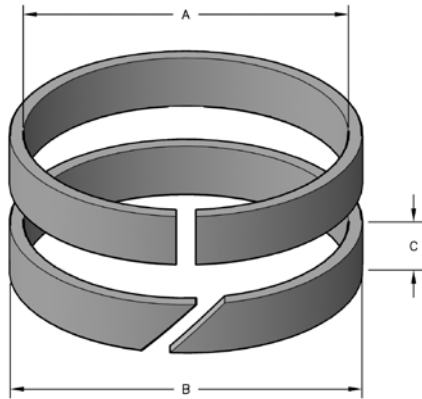
Flexible Guide Bearing Cut To Fit Formula

Use the following formula when cutting flexible guide bearing to fit a specific application.

For Piston Bearings	For Rod Bearings
Bearing Length = (Bore - C.S.) x 3.14 - Gap	Bearing Length = (Rod + C.S.) x 3.14 - Gap

STYLE 600 NYLON WEAR RINGS

NOTE: "SC" suffix designates a Scarf Cut wear ring.



SEAL INFORMATION	
TEMPERATURE RANGE	-40° TO +275° F
TENSILE STRENGTH	27,000 PSI
COMPRESSIVE STRENGTH	26,000 PSI
PART NUMBER	(Prefix) - (OD) - (Width)

Part Number	A Nom. ID	B Nom. OD	C Nom. Ht	List Price
1/16" C/S				
606-087-050	3/4	7/8	1/2	\$11.95
606-112-050	1	1-1/8	1/2	7.35
606-125-050-SC	1-1/8	1-1/4	1/2	13.60
606-125-075-SC	1-1/8	1-1/4	3/4	12.60
606-125-100	1-1/8	1-1/4	.99	12.20
606-137-050	1-1/4	1-3/8	1/2	9.54
606-150-031-SC	1-3/8	1-1/2	5/16	10.06
606-150-037-SC	1-3/8	1-1/2	3/8	10.55
606-162-082	1-1/2	1-5/8	.82	11.17
606-162-098-SC	1-1/2	1-5/8	63/64	9.54
606-162-125	1-1/2	1-5/8	1-1/4	20.07
606-187-082	1-3/4	1-7/8	.82	17.93
606-187-098-SC	1-3/4	1-7/8	63/64	23.46
606-200-025-SC	1-7/8	2	1/4	21.00
606-200-031-SC	1-7/8	2	5/16	10.13
606-200-072-SC	1-7/8	2	23/32	23.81
606-200-098-SC	1-7/8	2	63/64	31.30
606-212-072-SC	2	2-1/8	23/32	19.30
606-212-098-SC	2	2-1/8	.975	6.33
606-212-125	2	2-1/8	1-1/4	29.97
606-225-036	2-1/8	2-1/4	23/64	49.73
606-225-072-SC	2-1/8	2-1/4	23/32	49.00
606-225-098-SC	2-1/8	2-1/4	63/64	27.43
606-225-100	2-1/8	2-1/4	1	35.76
606-237-098-SC	2-1/4	2-3/8	.975	35.32
606-237-100	2-1/4	2-3/8	1	25.92
606-237-118	2-1/4	2-3/8	1-3/16	31.57
606-250-031-SC	2-3/8	2-1/2	5/16	10.25
606-250-050	2-3/8	2-1/2	1/2	16.53
606-250-126-SC	2-3/8	2-1/2	1.26	17.25
606-262-072-SC	2-1/2	2-5/8	.725	21.00
606-262-098-SC	2-1/2	2-5/8	63/64	34.27
606-262-124-SC	2-1/2	2-5/8	1.24	39.28
606-262-168	2-1/2	2-5/8	1-11/16	50.16
606-275-050	2-5/8	2-3/4	1/2	25.85

Seal color may vary.

STYLE 600 NYLON WEAR RINGS

Part Number	A Nom. ID	B Nom. OD	C Nom. Ht	List Price
606-275-098-SC	2-5/8	2-3/4	63/64	14.22
606-275-100	2-5/8	2-3/4	1	20.96
606-287-098-SC	2-3/4	2-7/8	.978	14.07
606-287-100-SC	2-3/4	2-7/8	1	42.50
606-287-126-SC	2-3/4	2-7/8	1.26	35.67
606-287-157-SC	2-3/4	2-7/8	1-9/16	49.66
606-287-181	2-3/4	2-7/8	1-13/16	32.30
606-312-098-SC	3	3-1/8	63/64	15.12
606-312-124	3	3-1/8	1.24	70.68
606-312-148-SC	3	3-1/8	1.48	72.10
606-312-156	3	3-1/8	1-9/16	78.35
606-312-165-SC	3	3-1/8	1.65	40.00
606-325-031-SC	3-1/8	3-1/4	5/16	10.44
606-325-050	3-1/8	3-1/4	1/2	9.52
606-337-174	3-1/4	3-3/8	1.74	71.23
606-337-187	3-1/4	3-3/8	1-7/8	59.75
606-362-105	3-1/2	3-5/8	1.05	48.04
606-362-188-SC	3-1/2	3-5/8	1-7/8	57.67
606-387-157	3-3/4	3-7/8	1.57	78.85
606-400-031-SC	3-7/8	4	5/16	18.42
606-500-043-SC	4-7/8	5	7/16	19.50
606-600-043-SC	5-7/8	6	7/16	22.46
606-800-050-SC	7-7/8	8	1/2	34.70
5/64" C/S				
608-115-050	1	1-5/32	1/2	\$23.46
608-125-050	1-3/32	1-1/4	1/2	11.57
608-152-075	1-3/8	1-17/32	3/4	12.61
608-154-075	1-3/8	1-17/32	3/4	11.97
608-166-062	1-1/2	1-21/32	5/8	11.06
608-166-075	1-1/2	1-21/32	3/4	8.84
3/32" C/S				
609-125-018	1-1/16	1-1/4	3/16	\$3.65
609-125-037	1-1/16	1-1/4	3/8	32.04
609-150-018	1-5/16	1-1/2	3/16	4.52
609-150-037	1-5/16	1-1/2	3/8	11.76
609-200-019	1-13/16	2	3/16	4.52
609-200-037	1-13/16	2	3/8	12.30
609-218-037	2	2-3/16	3/8	7.51
609-250-037	2-5/16	2-1/2	3/8	13.10
609-255-150	2-23/64	2-35/64	1-1/2	10.80
609-285-100	2.663	2.85	1	12.72
609-300-022	2-13/16	3	7/32	3.45
609-325-037	3-1/16	3-1/4	3/8	13.71
609-331-062	3-1/8	3-5/16	5/8	6.52
609-350-050	3-5/16	3-1/2	1/2	7.22
609-362-022	3-7/16	3-5/8	7/32	8.68
609-393-022	3-3/4	3-15/16	7/32	3.58
609-400-037	3-13/16	4	3/8	15.16
609-500-050	4-13/16	5	1/2	16.55
609-600-050	5-13/16	6	1/2	17.05
.1" C/S				
610-270-228	2-1/2	2.7	2.28	\$75.28
610-295-196	2-3/4	2.95	1.96	63.22
610-300-099-SC	2.8	3	.99	15.26
610-320-117-SC	3	3.2	1.17	53.61
610-325-112	3.05	3-1/4	1-1/8	57.92
610-345-162-SC	3-1/4	3.45	1-5/8	51.89

STYLE 600 NYLON WEAR RINGS

Part Number	A Nom. ID	B Nom. OD	C Nom. Ht	List Price
610-345-196	3-1/4	3.45	1.96	58.72
610-345-274-SC	3-1/4	3.45	2.74	84.83
610-370-176	3-1/2	3.7	1.76	94.94
610-370-188-SC	3-1/2	3.7	1-7/8	85.24
610-370-236-SC	3-1/2	3.7	2.36	66.55
610-395-243	3-3/4	3.95	2-7/16	97.42
610-420-156-SC	4	4.2	1-9/16	80.73
610-420-255	4	4.2	2.55	67.98
610-445-237	4-1/4	4.45	2-3/8	75.97
610-470-196-SC	4-1/2	4.7	1.96	46.96
610-495-196-SC	4-3/4	4.95	1.96	56.78
610-518-300-SC	4.9875	5-3/16	3	94.79
610-520-250	5	5.2	2-1/2	94.94
610-595-361	5-3/4	5.95	3.6125	143.72
610-720-314	7	7.2	3.14	128.52
610-820-295-SC	8	8.2	2.95	150.11
1/8" C/S				
612-100-037	3/4	1	3/8	\$3.89
612-100-087-SC	3/4	1	7/8	35.89
612-112-037	7/8	1-1/8	3/8	3.89
612-125-037	1	1-1/4	3/8	3.89
612-125-050	1	1-1/4	1/2	4.73
612-137-050	1-1/8	1-3/8	1/2	4.54
612-150-025	1-1/4	1-1/2	1/4	3.02
612-150-037	1-1/4	1-1/2	3/8	3.89
612-150-050-SC	1-1/4	1-1/2	1/2	3.89
612-150-062	1-1/4	1-1/2	5/8	3.89
612-150-100	1-1/4	1-1/2	1	9.00
612-162-037	1-3/8	1-5/8	3/8	5.21
612-162-050	1-3/8	1-5/8	1/2	3.84
612-175-025	1-1/2	1-3/4	1/4	3.84
612-175-037	1-1/2	1-3/4	3/8	3.94
612-175-050	1-1/2	1-3/4	1/2	3.84
612-175-075	1-1/2	1-3/4	3/4	4.93
612-175-100	1-1/2	1-3/4	1	5.68
612-187-050	1-5/8	1-7/8	1/2	4.06
612-187-075	1-5/8	1-7/8	3/4	4.32
612-200-016	1-3/4	2	.16	21.10
612-200-025-SC	1-3/4	2	1/4	3.34
612-200-037-SC	1-3/4	2	3/8	3.94
612-200-050-SC	1-3/4	2	1/2	4.15
612-200-050-ST	1-3/4	2	1/2	9.54
612R-200-050P	1-3/4	2	1/2	7.65
612-200-062	1-3/4	2	5/8	4.24
612-200-075	1-3/4	2	3/4	4.41
612-200-100	1-3/4	2	1	7.65
612-200-100P-SC	1-3/4	2	1	12.98
612-200-150	1-3/4	2	1-1/2	32.01
612-212-037	1-7/8	2-1/8	3/8	4.15
612-212-050	1-7/8	2-1/8	1/2	4.68
612-212-075	1-7/8	2-1/8	3/4	4.24
612-218-026	1.937	2.187	.26	3.78
612-218-050	1.937	2.187	1/2	12.84
612-225-025	2	2-1/4	1/4	3.46
612-225-031	2	2-1/4	5/16	4.15
612-225-037	2	2-1/4	3/8	4.15
612-225-050	2	2-1/4	1/2	4.15

STYLE 600 NYLON WEAR RINGS

Part Number	A Nom. ID	B Nom. OD	C Nom. Ht	List Price
612-225-050-SC	2	2-1/4	1/2	7.38
612-225-062	2	2-1/4	5/8	4.35
612-225-075	2	2-1/4	3/4	4.28
612-225-075-SC	2	2-1/4	3/4	7.68
612-225-087-SC	2	2-1/4	7/8	7.81
612-225-100	2	2-1/4	1	10.56
612-225-100-SC	2	2-1/4	1	8.41
612-250-100P	2	2-1/4	1	36.65
612-225-125P	2	2-1/4	1-1/4	44.65
612-237-025	2-1/8	2-3/8	1/4	9.83
612-237-050	2-1/8	2-3/8	1/2	4.28
612-237-075	2-1/8	2-3/8	3/4	5.13
612-250-016P	2-1/4	2-1/2	.16	10.39
612-250-018	2-1/4	2-1/2	3/16	4.65
612-250-025	2-1/4	2-1/2	1/4	3.84
612-250-031	2-1/4	2-1/2	5/16	3.89
612-250-037-SC	2-1/4	2-1/2	3/8	4.28
612-250-050-SC	2-1/4	2-1/2	1/2	4.31
612-250-050-ST	2-1/4	2-1/2	1/2	7.15
612-250-062	2-1/4	2-1/2	5/8	4.62
612-250-074-SC	2-1/4	2-1/2	.74	9.18
612-250-075	2-1/4	2-1/2	3/4	5.13
612-250-087	2-1/4	2-1/2	7/8	8.23
612-250-100	2-1/4	2-1/2	1	5.68
612-250-100-ST	2-1/4	2-1/2	1	12.66
612-262-050	2-3/8	2-5/8	1/2	7.44
612-262-062	2-3/8	2-5/8	5/8	4.68
612-262-075	2-3/8	2-5/8	3/4	5.25
612-262-100	2-3/8	2-5/8	1	22.00
612-275-025	2-1/2	2-3/4	1/4	8.97
612-275-031	2-1/2	2-3/4	5/16	4.35
612-275-031P	2-1/2	2-3/4	5/16	7.44
612-275-037-SC	2-1/2	2-3/4	3/8	4.35
612-275-050-SC	2-1/2	2-3/4	1/2	4.35
612-275-062	2-1/2	2-3/4	5/8	4.68
612-275-062-SC	2-1/2	2-3/4	5/8	13.26
612-275-075	2-1/2	2-3/4	3/4	5.34
612-275-100	2-1/2	2-3/4	1	5.62
612-275-100-ST	2-1/2	2-3/4	1	19.28
612-275-100P-SC	2-1/2	2-3/4	1	23.23
612-275-093-SC	2-1/2	2-3/4	1-5/16	13.09
612-275-150	2-1/2	2-3/4	1-1/2	15.79
612-275-150P	2-1/2	2-3/4	1-1/2	55.73
612-275-200P-SC	2-1/2	2-3/4	2	18.97
612-287-050	2-5/8	2-7/8	1/2	5.36
612-287-075	2-5/8	2-7/8	3/4	8.50
612-287-087	2-5/8	2-7/8	7/8	15.12
612-287-100	2-5/8	2-7/8	1	5.65
612-300-016P	2-3/4	3	.16	20.04
612-300-025	2-3/4	3	1/4	4.00
612-300-031	2-3/4	3	5/16	4.28
612-300-037-SC	2-3/4	3	3/8	4.42
612P-300-037P	2-3/4	3	3/8	6.18
612-300-050-SC	2-3/4	3	1/2	4.42
612-300-050-ST	2-3/4	3	1/2	13.27
612-300-050P	2-3/4	3	1/2	11.03
612-300-050P-SC	2-3/4	3	1/2	16.95
612-300-062	2-3/4	3	5/8	8.61

STYLE 600 NYLON WEAR RINGS

Part Number	A Nom. ID	B Nom. OD	C Nom. Ht	List Price
612-300-075-SC	2-3/4	3	3/4	5.08
612-300-075-SL	2-3/4	3	3/4	22.51
612-300-099-SC	2-3/4	3	63/64	16.40
612-300-100-SC	2-3/4	3	1	4.93
612-300-100-ST	2-3/4	3	1	8.24
612-300-124-SC	2-3/4	3	1.24	22.99
612-306-025	2.812	3.062	1/4	7.87
612-312-050	2-7/8	3-1/8	1/2	4.54
612-312-100	2-7/8	3-1/8	1	7.80
612-325-025	3	3-1/4	1/4	4.28
612-325-031	3	3-1/4	5/16	4.35
612-325-037-SC	3	3-1/4	3/8	4.54
612-325-050-SC	3	3-1/4	1/2	4.54
612-325-062	3	3-1/4	5/8	4.94
612-325-075-SC	3	3-1/4	3/4	5.08
612-325-100	3	3-1/4	1	5.45
612-325-100-SC	3	3-1/4	1	9.65
612-325-111	3	3-1/4	1-7/64	17.72
612-325-125	3	3-1/4	1-1/4	20.30
612-325-150-ST	3	3-1/4	1-1/2	15.47
612-325-150P	3	3-1/4	1-1/2	15.79
612-325-155	3	3-1/4	1.55	22.00
612-325-162-SC	3	3-1/4	1-5/8	19.71
612-325-200	3	3-1/4	2	25.98
612-325-200P-SC	3	3-1/4	2	25.98
612-325-212-SC	3	3-1/4	2-1/8	25.57
612-337-075	3-1/8	3-3/8	3/4	5.08
612-350-016P	3-1/4	3-1/2	.16	22.13
612-350-025	3-1/4	3-1/2	1/4	4.82
612-350-037-SC	3-1/4	3-1/2	3/8	4.57
612-350-043	3-1/4	3-1/2	7/16	10.80
612-350-050-SC	3-1/4	3-1/2	1/2	4.57
612-350-062	3-1/4	3-1/2	5/8	5.08
612-350-062-ST	3-1/4	3-1/2	5/8	11.85
612-350-075	3-1/4	3-1/2	3/4	5.10
612-350-075P	3-1/4	3-1/2	3/4	17.79
612-350-087	3-1/4	3-1/2	7/8	10.53
612-350-100-SC	3-1/4	3-1/2	1	5.53
612-350-100-SL	3-1/4	3-1/2	1	22.06
612-350-100-ST	3-1/4	3-1/2	1	16.33
612-350-112-SC	3-1/4	3-1/2	1-1/8	14.16
612-350-150	3-1/4	3-1/2	1-1/2	15.80
612-362-050	3-3/8	3-5/8	1/2	9.04
612-362-062	3-3/8	3-5/8	5/8	8.01
612-362-075	3-3/8	3-5/8	3/4	5.10
612-362-100	3-3/8	3-5/8	1	18.34
612-375-037-SC	3-1/2	3-3/4	3/8	5.80
612-375-050-SC	3-1/2	3-3/4	1/2	4.65
612-375-050-ST	3-1/2	3-3/4	1/2	20.79
612-375-050P-SC	3-1/2	3-3/4	1/2	12.45
612-375-062	3-1/2	3-3/4	5/8	5.24
612-375-075	3-1/2	3-3/4	3/4	5.34
612-375-100-SC	3-1/2	3-3/4	1	5.58
612-375-100P-SC	3-1/2	3-3/4	1	15.33
612-375-124-SC	3-1/2	3-3/4	1.24	15.59
612-375-125	3-1/2	3-3/4	1-1/4	20.35
612-375-149	3-1/2	3-3/4	1.49	29.46
612-375-199	3-1/2	3-3/4	1.99	42.01

STYLE 600 NYLON WEAR RINGS

Part Number	A Nom. ID	B Nom. OD	C Nom. Ht	List Price
612-387-025	3-5/8	3-7/8	1/4	6.34
612-387-100	3-5/8	3-7/8	1	14.95
612-387-100-SC	3-5/8	3-7/8	1	14.95
612-400-031	3-3/4	4	5/16	13.86
612-400-037-SC	3-3/4	4	3/8	5.80
612-400-050-SC	3-3/4	4	1/2	4.65
612-400-050-ST	3-3/4	4	1/2	36.77
612-400-062	3-3/4	4	5/8	5.45
612-400-062-ST	3-3/4	4	5/8	5.45
612-400-075-SC	3-3/4	4	3/4	5.10
612-400-087	3-3/4	4	7/8	10.74
612-400-099-SC	3-3/4	4	.99	20.53
612-400-100	3-3/4	4	1	5.96
612-400-100-SL	3-3/4	4	1	43.53
612-400-100P-SC	3-3/4	4	1	29.50
612-400-125	3-3/4	4	1-1/4	13.48
612-400-150	3-3/4	4	1-1/2	33.16
612-412-042	3-7/8	4-1/8	.42	18.36
612-412-100	3-7/8	4-1/8	1	16.93
612-425-025	4	4-1/4	1/4	12.26
612-425-037	4	4-1/4	3/8	5.95
612-425-050-SC	4	4-1/4	1/2	4.78
612-425-062	4	4-1/4	5/8	5.45
612-425-075-SC	4	4-1/4	3/4	5.65
612-425-087P	4	4-1/4	7/8	24.88
612-425-099-SC	4	4-1/4	.99	26.64
612-425-100-SC	4	4-1/4	1	7.30
612-425-100P	4	4-1/4	1	13.27
612-425-124-SC	4	4-1/4	1.24	14.59
612-425-125	4	4-1/4	1-1/4	14.87
612-425-125-SC	4	4-1/4	1-1/4	13.00
612-425-149-SC	4	4-1/4	1.49	19.46
612-425-150P	4	4-1/4	1-1/2	28.16
612-425-350	4	4-1/4	3-1/2	96.91
612-426-249-SC	4.01	4.26	2-31/64	54.53
612-437-050-SC	4-1/8	4-3/8	1/2	15.18
612-440-062	4.15	4.4	5/8	5.45
612-450-037-SC	4-1/4	4-1/2	3/8	6.05
612-450-050-SC	4-1/4	4-1/2	1/2	4.89
612-450-050P	4-1/4	4-1/2	1/2	9.67
612-450-062	4-1/4	4-1/2	5/8	5.45
612-450-075	4-1/4	4-1/2	3/4	5.33
612-450-075-SC	4-1/4	4-1/2	3/4	9.76
612-450-087	4-1/4	4-1/2	7/8	12.60
612-450-099-SC	4-1/4	4-1/2	63/64	15.49
612-450-100-SC	4-1/4	4-1/2	1	7.30
612-450-100-SL	4-1/4	4-1/2	1	13.23
612-450-093-SC	4-1/4	4-1/2	1-5/16	16.24
612-450-149-SC	4-1/4	4-1/2	1.49	22.43
612-450-150	4-1/4	4-1/2	1-1/2	22.86
612-450-186	4-1/4	4-1/2	1-55/64	37.10
612-450-236	4-1/4	4-1/2	2-23/64	61.80
612-450-350	4-1/4	4-1/2	3-1/2	80.95
612-475-050	4-1/2	4-3/4	1/2	4.89
612-475-075-SC	4-1/2	4-3/4	3/4	5.45
612-475-099-SC	4-1/2	4-3/4	63/64	28.10
612-475-100-SC	4-1/2	4-3/4	1	7.36
612-475-124-SC	4-1/2	4-3/4	1.24	21.80

STYLE 600 NYLON WEAR RINGS

Part Number	A Nom. ID	B Nom. OD	C Nom. Ht	List Price
612-475-125-SC	4-1/2	4-3/4	1-1/4	13.60
612-475-150	4-1/2	4-3/4	1-1/2	25.13
612-475-156	4-1/2	4-3/4	1-9/16	36.97
612-475-164-SC	4-1/2	4-3/4	1.645	39.94
612-475-199	4-1/2	4-3/4	1.99	102.70
612-475-200	4-1/2	4-3/4	2	36.21
612-475-350	4-1/2	4-3/4	3-1/2	63.84
612-476-075P	4.515	4.765	3/4	19.18
612-487-075	4-5/8	4-7/8	3/4	8.94
612-500-037	4-3/4	5	3/8	6.21
612-500-050-SC	4-3/4	5	1/2	4.89
612-500-062	4-3/4	5	.622	5.45
612-500-075-SC	4-3/4	5	3/4	5.45
612-500-100-SC	4-3/4	5	1	7.36
612-500-111-SC	4-3/4	5	1-7/64	18.18
612-500-112	4-3/4	5	1-1/8	18.57
612-500-124	4-3/4	5	1.24	39.54
612-500-155-SC	4-3/4	5	1.545	19.19
612-500-175	4-3/4	5	1-3/4	23.20
612-512-156	4-7/8	5-1/8	1-9/16	23.30
612-512-156-SC	4-7/8	5-1/8	1-9/16	23.30
612-525-050	5	5-1/4	1/2	4.89
612-525-062	5	5-1/4	5/8	5.45
612-525-075-SC	5	5-1/4	3/4	5.56
612-525-100	5	5-1/4	1	7.91
612-525-102-SC	5	5-1/4	1-1/64	41.99
612-525-125	5	5-1/4	1-1/4	32.59
612-525-125-SC	5	5-1/4	1-1/4	14.65
612-525-149	5	5-1/4	1.49	25.65
612-525-200P-SC	5	5-1/4	2	39.54
612-525-361-SC	5	5-1/4	3.6125	81.83
612-537-100-SC	5-1/8	5-3/8	1-1/64	15.51
612-550-037	5-1/4	5-1/2	3/8	4.89
612-550-050-SC	5-1/4	5-1/2	1/2	4.89
612-550-050-ST	5-1/4	5-1/2	1/2	22.61
612-550-050P	5-1/4	5-1/2	1/2	20.39
612-550-062	5-1/4	5-1/2	5/8	5.78
612-550-075-SC	5-1/4	5-1/2	3/4	5.56
612-550-100-SC	5-1/4	5-1/2	1	7.44
612-550-125	5-1/4	5-1/2	1-1/4	20.81
612-550-137	5-1/4	5-1/2	1-3/8	40.21
612-550-161	5-1/4	5-1/2	1-39/64	51.15
612-550-175-SC	5-1/4	5-1/2	1.74	27.55
612-550-199	5-1/4	5-1/2	1.99	56.43
612-550-224-SC	5-1/4	5-1/2	2-15/64	66.25
612-575-050-SC	5-1/2	5-3/4	1/2	5.58
612-575-062	5-1/2	5-3/4	5/8	5.95
612-575-075	5-1/2	5-3/4	3/4	7.15
612-575-100-SC	5-1/2	5-3/4	1	7.58
612-575-150	5-1/2	5-3/4	1-1/2	27.44
612-575-161-SC	5-1/2	5-3/4	1-39/64	82.34
612-575-175	5-1/2	5-3/4	1-3/4	24.78
612-575-199	5-1/2	5-3/4	1.99	64.38
612-575-236	5-1/2	5-3/4	2.368	88.17
612-600-037	5-3/4	6	3/8	7.04
612-600-050-SC	5-3/4	6	1/2	5.58
612-600-050P-SC	5-3/4	6	1/2	10.13
612-600-062	5-3/4	6	5/8	5.95

STYLE 600 NYLON WEAR RINGS

Part Number	A Nom. ID	B Nom. OD	C Nom. Ht	List Price
612-600-062-SC	5-3/4	6	5/8	21.33
612-600-075-SC	5-3/4	6	3/4	5.78
612-600-087	5-3/4	6	7/8	15.16
612-600-100-SC	5-3/4	6	1	7.58
612-600-107	5-3/4	6	1-1/16	35.99
612-600-124-SC	5-3/4	6	1-15/64	28.53
612-600-125	5-3/4	6	1-15/64	27.14
612-600-131-SC	5-3/4	6	1-5/16	30.49
612-600-150	5-3/4	6	1-1/2	31.84
612-600-150-ST	5-3/4	6	1-1/2	42.13
612-600-174-SC	5-3/4	6	1.74	51.45
612-600-200	5-3/4	6	2	39.93
612-600-286	5-3/4	6	2-55/64	110.00
612-625-050	6	6-1/4	1/2	6.41
612-625-062	6	6-1/4	5/8	5.99
612-625-075	6	6-1/4	3/4	6.39
612-625-100	6	6-1/4	1	7.67
612-625-149-SC	6	6-1/4	1.49	31.84
612-625-150	6	6-1/4	1-1/2	26.06
612-625-174-SC	6	6-1/4	1.74	53.16
612-625-200	6	6-1/4	2	42.94
612-625-200P-SC	6	6-1/4	2	26.72
612-625-274-SC	6	6-1/4	2.74	147.60
612-650-037	6-1/4	6-1/2	3/8	11.73
612-650-050-SC	6-1/4	6-1/2	1/2	6.41
612-650-062	6-1/4	6-1/2	.622	6.41
612-650-075	6-1/4	6-1/2	3/4	6.41
612-650-100-SC	6-1/4	6-1/2	1	8.18
612-650-125	6-1/4	6-1/2	1-1/4	29.21
612-650-137	6-1/4	6-1/2	1-3/8	26.44
612-650-149-SC	6-1/4	6-1/2	1.49	26.58
612-650-150-ST	6-1/4	6-1/2	1-1/2	26.58
612-650-174	6-1/4	6-1/2	1.74	52.91
612-650-199-SC	6-1/4	6-1/2	1.99	44.86
612-650-200	6-1/4	6-1/2	2	50.30
612-650-274-SC	6-1/4	6-1/2	2.74	147.60
612-650-286	6-1/4	6-1/2	2-55/64	72.88
612-650-348-SC	6-1/4	6-1/2	3-31/64	142.27
612-675-075	6-1/2	6-3/4	3/4	8.50
612-675-100	6-1/2	6-3/4	1	10.44
612-675-150P	6-1/2	6-3/4	1-1/2	26.26
612-676-125P-SC	6.506	6.756	1-1/4	41.42
612-700-050-SC	6-3/4	7	1/2	6.41
612-700-062	6-3/4	7	5/8	6.41
612-700-062-SC	6-3/4	7	5/8	12.17
612-700-075-SC	6-3/4	7	3/4	8.50
612-700-100-SC	6-3/4	7	1	10.92
612-700-068	6-3/4	7	1-1/16	32.39
612-700-149-ST	6-3/4	7	1-31/64	23.66
612-700-150-SC	6-3/4	7	1-1/2	13.28
612-700-174	6-3/4	7	1.74	53.06
612-700-199-SC	6-3/4	7	1.99	55.17
612-700-200	6-3/4	7	2	50.30
612-700-236-SC	6-3/4	7	2-23/64	132.23
612-700-300	6-3/4	7	3	136.29
612-700-312	6-3/4	7	3-7/64	54.67
612-725-050	7	7-1/4	1/2	11.46
612-725-062	7	7-1/4	5/8	14.33

STYLE 600 NYLON WEAR RINGS

Part Number	A Nom. ID	B Nom. OD	C Nom. Ht	List Price
612-725-075	7	7-1/4	3/4	8.63
612-725-100-SC	7	7-1/4	1	16.86
612-725-138	7	7-1/4	1-3/8	58.20
612-725-199-SC	7	7-1/4	1.99	57.23
612-725-200	7	7-1/4	2	58.37
612-725-200P-SC	7	7-1/4	2	57.23
612-725-710	7	7-1/4	7.1	273.02
612-750-050	7-1/4	7-1/2	1/2	6.41
612-750-062	7-1/4	7-1/2	5/8	10.42
612-750-075	7-1/4	7-1/2	3/4	7.48
612-750-100	7-1/4	7-1/2	1	16.86
612-750-149-SC	7-1/4	7-1/2	1.49	45.80
612-750-200	7-1/4	7-1/2	2	49.77
612-750-236	7-1/4	7-1/2	2-23/64	84.78
612-750-249-SC	7-1/4	7-1/2	2.49	80.98
612-750-295	7-1/4	7-1/2	2.935	215.01
612-775-050	7-1/2	7-3/4	1/2	23.32
612-775-100	7-1/2	7-3/4	1	29.33
612-775-199	7-1/2	7-3/4	1.99	61.53
612-775-350	7-1/2	7-3/4	3-1/2	139.58
612-787-100	7-5/8	7-7/8	1	37.06
612-800-050-SC	7-3/4	8	1/2	6.97
612-800-062	7-3/4	8	5/8	14.33
612-800-075-SC	7-3/4	8	3/4	9.86
612-800-087	7-3/4	8	7/8	29.36
612-800-100-SC	7-3/4	8	1	16.86
612-800-146-ST	7-3/4	8	1.46	52.45
612-800-200	7-3/4	8	2	77.22
612-800-225-SC	7-3/4	8	2.244	130.48
612-800-500	7-3/4	8	5	130.89
612-825-075	8	8-1/4	3/4	17.54
612-825-100-SC	8	8-1/4	1	18.06
612-825-125	8	8-1/4	1-1/4	30.24
612-825-174-SC	8	8-1/4	1.74	52.61
612-825-212-SC	8	8-1/4	2-1/8	81.51
612-825-224-SC	8	8-1/4	2-15/64	87.15
612-825-249	8	8-1/4	2.488	133.96
612-825-274	8	8-1/4	2.74	108.05
612-825-411-SC	8	8-1/4	4-7/64	92.22
612-850-050	8-1/4	8-1/2	1/2	7.73
612-850-062	8-1/4	8-1/2	5/8	11.01
612-850-075	8-1/4	8-1/2	3/4	13.57
612-850-100	8-1/4	8-1/2	1	22.66
612-850-150-ST	8-1/4	8-1/2	1-1/2	41.70
612-850-200	8-1/4	8-1/2	2	57.23
612-850-236	8-1/4	8-1/2	2-23/64	117.88
612-850-237	8-1/4	8-1/2	2-3/8	68.35
612-850-300	8-1/4	8-1/2	3	134.52
612-862-050	8-3/8	8-5/8	1/2	11.51
612-862-100	8-3/8	8-5/8	1	32.52
612-875-100	8-1/2	8-3/4	1	34.73
612-900-050	8-3/4	9	1/2	12.36
612-900-062	8-3/4	9	5/8	11.60
612-900-075	8-3/4	9	3/4	14.12
612-900-075-SC	8-3/4	9	3/4	20.96
612-900-100	8-3/4	9	1	23.08
612-900-150	8-3/4	9	1-1/2	125.65
612-900-200	8-3/4	9	2	188.05

STYLE 600 NYLON WEAR RINGS

Part Number	A Nom. ID	B Nom. OD	C Nom. Ht	List Price
612-900-293-SC	8-3/4	9	2.946	84.47
612-912-100	8-7/8	9-1/8	1	33.21
612-925-100-SC	9	9-1/4	1	33.79
612-925-150-SC	9	9-1/4	1-1/2	110.98
612-925-225	9	9-1/4	2-1/4	134.08
612-950-050	9-1/4	9-1/2	1/2	12.92
612-950-062	9-1/4	9-1/2	5/8	13.09
612-950-075	9-1/4	9-1/2	3/4	20.57
612-950-100	9-1/4	9-1/2	1	41.68
612-950-125	9-1/4	9-1/2	1-1/4	50.21
612-962-150P-SC	9-3/8	9-5/8	1-1/2	82.21
612-975-050	9-1/2	9-3/4	1/2	13.20
612-975-075	9-1/2	9-3/4	3/4	22.48
612-987-050	9-5/8	9-7/8	1/2	21.63
612-1000-025	9-3/4	10	1/4	36.43
612-1000-050-SC	9-3/4	10	1/2	21.63
612-1000-062	9-3/4	10	5/8	33.55
612-1000-075-SC	9-3/4	10	3/4	22.48
612-1000-100-SC	9-3/4	10	1	24.75
612-1000-125	9-3/4	10	1-1/4	32.72
612-1000-150	9-3/4	10	1-1/2	65.91
612-1000-175	9-3/4	10	1-3/4	116.14
612-1000-274-SC	9-3/4	10	2.74	137.29
612-1000-324-SC	9-3/4	10	3.24	106.45
612-1025-075	10	10-1/4	3/4	88.91
612-1025-100	10	10-1/4	1	19.30
612-1025-125-SC	10	10-1/4	1-1/4	95.35
612-1050-050	10-1/4	10-1/2	1/2	33.23
612-1050-100	10-1/4	10-1/2	1	66.20
612-1050-125	10-1/4	10-1/2	1-1/4	70.91
612-1050-150-ST	10-1/4	10-1/2	1-1/2	180.55
612-1050-274	10-1/4	10-1/2	2-47/64	180.63
612-1050-374-SC	10-1/4	10-1/2	3.74	106.87
612-1050-375	10-1/4	10-1/2	3-3/4	148.22
612-1050-400	10-1/4	10-1/2	4	152.72
612-1100-050	10-3/4	11	1/2	61.62
612-1100-100	10-3/4	11	1	65.39
612-1100-125	10-3/4	11	1-1/4	71.04
612-1100-162	10-3/4	11	1-5/8	159.25
612-1100-187	10-3/4	11	1-7/8	201.73
612-1125-125	11	11-1/4	1-1/4	111.47
612-1150-075	11-1/4	11-1/2	3/4	49.30
612-1150-125	11-1/4	11-1/2	1-1/4	87.08
612-1150-387	11-1/4	11-1/2	3-7/8	117.32
612-1200-050	11-3/4	12	1/2	37.61
612-1200-100P	11-3/4	12	1	63.10
612-1200-125	11-3/4	12	1-1/4	117.12
612-1200-150	11-3/4	12	1-1/2	124.08
612-1200-200	11-3/4	12	2	136.13
612-1225-100	12	12-1/4	1	167.24
612-1225-125	12	12-1/4	1-1/4	172.88
612-1250-075	12-1/4	12-1/2	3/4	126.22
612-1250-399-SC	12-1/4	12-1/2	3.987	206.13
612-1275-399-SC	12-1/2	12-3/4	3.987	235.16
612-1300-150	12-3/4	13	1-1/2	318.09
612-1325-100	13	13-1/4	1	126.05
612-1350-075	13-1/4	13-1/2	3/4	144.83
612-1375-399-SC	13-1/2	13-3/4	4	259.43

STYLE 600 NYLON WEAR RINGS

Part Number	A Nom. ID	B Nom. OD	C Nom. Ht	List Price
612-1400-050	13-3/4	14	1/2	133.72
612-1400-100-SC	13-3/4	14	1	134.85
612-1400-125	13-3/4	14	1-1/4	190.30
612-1400-150	13-3/4	14	1-1/2	224.29
612-1425-399-SC	14	14-1/4	3.993	270.87
612-1600-050	15-3/4	16	1/2	185.20
612-1600-100-SC	15-3/4	16	1	131.05
612-1600-150	15-3/4	16	1-1/2	330.41
3/16" C/S				
616-2203-062	1.825	2.2	5/8	\$12.01
616-2623-062	2-1/4	2-5/8	5/8	15.76
616-2873-062	2-1/2	2-7/8	5/8	11.41
616-3003-050	2-5/8	3	1/2	41.85
616-3003-075	2-5/8	3	3/4	12.08
616-3003-087	2-5/8	3	7/8	14.54
616-3063-062	2-11/16	3-1/16	5/8	14.59
616-3123-100	2-3/4	3-1/8	1	27.02
616-3123-125	2-3/4	3-1/8	1-1/4	46.79
616-3253-062	2-7/8	3-1/4	5/8	26.22
616-3373-125	3	3-3/8	1-1/4	52.45
616-3503-050	3-1/8	3-1/2	1/2	17.83
616-3503-075	3-1/8	3-1/2	3/4	14.69
616-3503-100	3-1/8	3-1/2	1	26.72
616-3623-125	3-1/4	3-5/8	1-1/4	28.97
616-3753-100	3-3/8	3-3/4	1	33.30
616-3873-125	3-1/2	3-7/8	1-1/4	25.54
616-3873-175	3-1/2	3-7/8	1-3/4	45.99
616-3873-262	3-1/2	3-7/8	2-5/8	79.82
616-4003-050	3-5/8	4	1/2	18.15
616-4003-087	3-5/8	4	7/8	15.32
616-4003-100	3-5/8	4	1	33.30
616-4123-100	3-3/4	4-1/8	1	33.62
616-4253-075	3-7/8	4-1/4	3/4	16.17
616-4373-150	4	4-3/8	1-1/2	31.30
616-4373-175	4	4-3/8	1-3/4	70.63
616-4503-050	4-1/8	4-1/2	1/2	22.36
616-4503-100	4-1/8	4-1/2	1	35.40
616-4875-150	4-1/2	4-7/8	1-1/2	49.05
616-4875-225	4-1/2	4-7/8	2-1/4	72.88
616-5003-087	4-5/8	5	7/8	17.93
616-5003-100	4-5/8	5	1	29.53
616-5003-150	4-5/8	5	1-1/2	30.99
616-5123-075	4-3/4	5-1/8	3/4	33.07
616-5503-050-SC	5-1/8	5-1/2	1/2	29.05
616-5503-087	5-1/8	5-1/2	7/8	29.60
616-5503-100	5-1/8	5-1/2	1	40.23
616-5503-125-SC	5-1/8	5-1/2	1-1/4	32.20
616-5503-150	5-1/8	5-1/2	1-1/2	43.13
616-5503-174	5-1/8	5-1/2	1.74	63.11
616-5753-100	5-3/8	5-3/4	1	48.39
616-6003-062	5-5/8	6	5/8	24.75
616-6003-087	5-5/8	6	7/8	31.69
616-6003-100	5-5/8	6	1	46.11
616-6003-125	5-5/8	6	1-1/4	30.52
616-6003-274	5-5/8	6	2.74	145.94
616-6123-075	5-3/4	6-1/8	3/4	37.43
616-6123-095	5-3/4	6-1/8	61/64	56.55

STYLE 600 NYLON WEAR RINGS

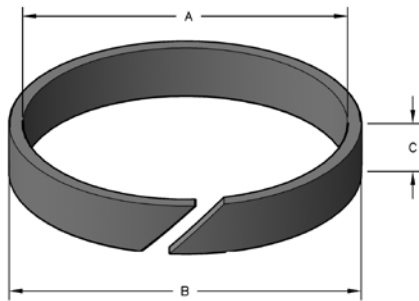
Part Number	A Nom. ID	B Nom. OD	C Nom. Ht	List Price
616-6503-075	6-1/8	6-1/2	3/4	53.47
616-6503-150	6-1/8	6-1/2	1-1/2	38.55
616-6753-100	6-3/8	6-3/4	1	48.85
616-7003-125	6-5/8	7	1-1/4	37.65
616-7123-087	6-3/4	7-1/8	7/8	64.14
616-7123-100	6-3/4	7-1/8	1	51.91
616-7253-100	6-7/8	7-1/4	1	51.91
616-7253-306	6-7/8	7-1/4	3-1/16	159.70
616-7373-161	7	7-3/8	1-39/64	107.12
616-7373-738	7	7-3/8	7-3/8	320.40
616-8003-050	7-5/8	8	1/2	50.91
616-8003-150	7-5/8	8	1-1/2	54.54
616-8003-275	7-5/8	8	2-3/4	139.94
616-8253-199	7-7/8	8-1/4	1.99	131.33
616-8253-274	7-7/8	8-1/4	2.74	181.15
616-8503-100	8-1/8	8-1/2	1	53.49
616-9503-193	9-1/8	9-1/2	1-59/64	183.22
616-9875-050	9-1/2	9-7/8	1/2	92.98
616-10003-125	9-5/8	10	1-1/4	82.74
616-10003-150	9-5/8	10	1-1/2	159.66
616-11375-261-SC	11	11-3/8	2-39/64	130.14
616-11375-1097-SC	11	11-3/8	11	858.98
616-12003-250	11-5/8	12	2-1/2	169.11
616-12253-400	11-7/8	12-1/4	4	284.10
616-12873-289	12-1/2	12-7/8	2-57/64	387.08
616-12875-1218-SC	12-1/2	12-7/8	12-3/16	890.58
616-13125-785-SC	12-3/4	13-1/8	7-55/64	756.09
616-13875-236-SC	13-1/2	13-7/8	2-23/64	158.76
616-13875-999-SC	13-1/2	13-7/8	10	642.07
616-14003-100	13-5/8	14	1	313.81
616-15125-769-SC	14-3/4	15-1/8	7-11/16	669.07
616-16125-769-SC	15-3/4	16-1/8	7-11/16	632.42
1/4" C/S				
625-650-349	6	6-1/2	3.485	\$189.51
625-825-350	7-3/4	8-1/4	3.485	187.48

STYLE PB POWERBANDS™ 1/8" THICK



Manufactured from a highly engineered blend of premium nylon, glass fiber, and PTFE, Powerbands™ offer a high strength wear-ring for all cylinder applications, including those with minimal lubrication. And, with a Coefficient of Friction nearly 50% lower than our standard product, your cylinders will run smoother and more efficiently than ever.

All Powerbands™ are fully machined with cross-section tolerances of only ± 0.001 ", chamfered corners, and scarf or angle-cut end gaps. Compared to standard tolerances of ± 0.0025 ", this tightened tolerance improves the alignment and concentric operation of cylinder rods and pistons. The fully machined chamfered corners will better accommodate cylinder housing grooves, further improving piston and rod alignment. Lastly, the scarf-cut end gap reduces the loss of bearing support that may occur during cylinder side-loading. When combined, these features reduce the tolerance stack-up within the components of the cylinder. As a result, your cylinders will operate more consistently and be capable of operating at higher pressures and higher side loads than with standard wear-ring products. Furthermore, with this improved cylinder operation, your seals will last longer and the life of your cylinder will be extended. Powerbands™ are currently available in our most popular wear-ring dimensions, as shown here.



SEAL INFORMATION	
TEMPERATURE RANGE	-40° TO +275° F
TENSILE STRENGTH	20,000 PSI
FLEXURAL STRENGTH	34,000 PSI
COMPRESSIVE STRENGTH	20,000 PSI
PART NUMBER	(Prefix) - (OD) - (Width)

Part Number	A Nom. ID	B Nom. OD	C Nom. Ht	List Price
PB12-100-037-SC	3/4	1	3/8	\$9.52
PB12-112-037-SC	7/8	1-1/8	3/8	9.52
PB12-125-037-SC	1	1-1/4	3/8	9.72
PB12-125-050-SC	1	1-1/4	1/2	9.90
PB12-137-050-SC	1-1/8	1-3/8	1/2	10.19
PB12-150-025-SC	1-1/4	1-1/2	1/4	5.32
PB12-150-037-SC	1-1/4	1-1/2	3/8	6.81
PB12-150-050-SC	1-1/4	1-1/2	1/2	6.81
PB12-162-037-SC	1-3/8	1-5/8	3/8	10.80
PB12-162-050-SC	1-3/8	1-5/8	1/2	7.79
PB12-175-025-SC	1-1/2	1-3/4	1/4	9.06
PB12-175-037-SC	1-1/2	1-3/4	3/8	6.50
PB12-175-050-SC	1-1/2	1-3/4	1/2	6.40
PB12-175-075-SC	1-1/2	1-3/4	3/4	8.16
PB12-175-100-SC	1-1/2	1-3/4	1	10.00
PB12-187-050-SC	1-5/8	1-7/8	1/2	10.38
PB12-200-025-SC	1-3/4	2	1/4	5.53
PB12-200-037-SC	1-3/4	2	3/8	6.50
PB12-200-050-SC	1-3/4	2	1/2	6.83
PB12-200-062-SC	1-3/4	2	5/8	7.01
PB12-200-075-SC	1-3/4	2	3/4	7.30
PB12-200-100-SC	1-3/4	2	1	12.65
PB12-212-050-SC	1-7/8	2-1/8	1/2	9.43
PB12-212-075-SC	1-7/8	2-1/8	3/4	9.95
PB12-225-025-SC	2	2-1/4	1/4	9.43
PB12-225-037-SC	2	2-1/4	3/8	6.83
PB12-225-050-SC	2	2-1/4	1/2	6.83
PB12-225-062-SC	2	2-1/4	5/8	7.20
PB12-225-075-SC	2	2-1/4	3/4	7.07



STYLE PB POWERBANDS™ 1/8" THICK

Part Number	A Nom. ID	B Nom. OD	C Nom. Ht	List Price
PB12-225-100-SC	2	2-1/4	1	8.98
PB12-237-075-SC	2-1/8	2-3/8	3/4	10.49
PB12-250-025-SC	2-1/4	2-1/2	1/4	6.40
PB12-250-031-SC	2-1/4	2-1/2	5/16	9.06
PB12-250-037-SC	2-1/4	2-1/2	3/8	7.07
PB12-250-050-SC	2-1/4	2-1/2	1/2	7.14
PB12-250-062-SC	2-1/4	2-1/2	5/8	7.63
PB12-250-075-SC	2-1/4	2-1/2	3/4	8.48
PB12-250-100-SC	2-1/4	2-1/2	1	9.41
PB12-262-075-SC	2-3/8	2-5/8	3/4	10.80
PB12-275-037-SC	2-1/2	2-3/4	3/8	7.20
PB12-275-050-SC	2-1/2	2-3/4	1/2	7.20
PB12-275-062-SC	2-1/2	2-3/4	5/8	7.75
PB12-275-075-SC	2-1/2	2-3/4	3/4	8.82
PB12-275-100-SC	2-1/2	2-3/4	1	9.26
PB12-275-150-SC	2-1/2	2-3/4	1-1/2	12.12
PB12-287-050-SC	2-5/8	2-7/8	1/2	8.84
PB12-300-025-SC	2-3/4	3	1/4	6.60
PB12-300-037-SC	2-3/4	3	3/8	7.31
PB12-300-050-SC	2-3/4	3	1/2	7.31
PB12-300-062-SC	2-3/4	3	5/8	7.31
PB12-300-075-SC	2-3/4	3	3/4	8.38
PB12-300-100-SC	2-3/4	3	1	8.16
PB12-325-025-SC	3	3-1/4	1/4	7.07
PB12-325-037-SC	3	3-1/4	3/8	7.49
PB12-325-050-SC	3	3-1/4	1/2	7.49
PB12-325-062-SC	3	3-1/4	5/8	8.21
PB12-325-075-SC	3	3-1/4	3/4	8.38
PB12-325-100-SC	3	3-1/4	1	8.98
PB12-325-125-SC	3	3-1/4	1-1/4	15.68
PB12-325-150-SC	3	3-1/4	1-1/2	16.28
PB12-350-025-SC	3-1/4	3-1/2	1/4	6.84
PB12-350-037-SC	3-1/4	3-1/2	3/8	7.53
PB12-350-050-SC	3-1/4	3-1/2	1/2	7.53
PB12-350-062-SC	3-1/4	3-1/2	5/8	8.38
PB12-350-075-SC	3-1/4	3-1/2	3/4	8.42
PB12-350-100-SC	3-1/4	3-1/2	1	9.17
PB12-350-112-SC	3-1/4	3-1/2	1-1/8	16.84
PB12-350-150-SC	3-1/4	3-1/2	1-1/2	19.72
PB12-362-075-SC	3-3/8	3-5/8	3/4	16.56
PB12-375-037-SC	3-1/2	3-3/4	3/8	9.56
PB12-375-050-SC	3-1/2	3-3/4	1/2	7.68
PB12-375-062-SC	3-1/2	3-3/4	5/8	8.65
PB12-375-075-SC	3-1/2	3-3/4	3/4	8.82
PB12-375-100-SC	3-1/2	3-3/4	1	9.21
PB12-375-125-SC	3-1/2	3-3/4	1-1/4	17.81
PB12-387-025-SC	3-5/8	3-7/8	1/4	8.00
PB12-387-100-SC	3-5/8	3-7/8	1	15.88
PB12-400-025-SC	3-3/4	4	1/4	11.35
PB12-400-031-SC	3-3/4	4	5/16	11.44
PB12-400-037-SC	3-3/4	4	3/8	9.56
PB12-400-050-SC	3-3/4	4	1/2	7.68
PB12-400-062-SC	3-3/4	4	5/8	8.98
PB12-400-075-SC	3-3/4	4	3/4	8.42
PB12-400-087-SC	3-3/4	4	7/8	15.88
PB12-400-100-SC	3-3/4	4	1	9.87
PB12-400-125-SC	3-3/4	4	1-1/4	16.84
PB12-412-050-SC	3-7/8	4-1/8	1/2	11.88



STYLE PB POWERBANDS™ 1/8" THICK



Part Number	A Nom. ID	B Nom. OD	C Nom. Ht	List Price
PB12-425-025-SC	4	4-1/4	1/4	7.80
PB12-425-037-SC	4	4-1/4	3/8	9.87
PB12-425-050-SC	4	4-1/4	1/2	7.92
PB12-425-062-SC	4	4-1/4	5/8	8.98
PB12-425-075-SC	4	4-1/4	3/4	9.30
PB12-425-100-SC	4	4-1/4	1	12.06
PB12-425-125-SC	4	4-1/4	1-1/4	17.81
PB12-425-150-SC	4	4-1/4	1-1/2	18.75
PB12-450-037-SC	4-1/4	4-1/2	3/8	12.06
PB12-450-050-SC	4-1/4	4-1/2	1/2	8.06
PB12-450-062-SC	4-1/4	4-1/2	5/8	8.98
PB12-450-075-SC	4-1/4	4-1/2	3/4	8.78
PB12-450-100-SC	4-1/4	4-1/2	1	12.06
PB12-450-150-SC	4-1/4	4-1/2	1-1/2	19.16
PB12-475-050-SC	4-1/2	4-3/4	1/2	8.06
PB12-475-062-SC	4-1/2	4-3/4	5/8	8.82
PB12-475-075-SC	4-1/2	4-3/4	3/4	8.98
PB12-475-100-SC	4-1/2	4-3/4	1	12.14
PB12-475-150-SC	4-1/2	4-3/4	1-1/2	20.11
PB12-500-037-SC	4-3/4	5	3/8	10.29
PB12-500-050-SC	4-3/4	5	1/2	8.06
PB12-500-062-SC	4-3/4	5	5/8	8.98
PB12-500-075-SC	4-3/4	5	3/4	8.98
PB12-500-100-SC	4-3/4	5	1	12.14
PB12-525-050-SC	5	5-1/4	1/2	8.06
PB12-525-062-SC	5	5-1/4	5/8	9.47
PB12-525-075-SC	5	5-1/4	3/4	9.19
PB12-525-100-SC	5	5-1/4	1	13.08
PB12-550-037-SC	5-1/4	5-1/2	3/8	13.29
PB12-550-050-SC	5-1/4	5-1/2	1/2	8.06
PB12-550-062-SC	5-1/4	5-1/2	5/8	9.55
PB12-550-075-SC	5-1/4	5-1/2	3/4	9.19
PB12-550-100-SC	5-1/4	5-1/2	1	12.29
PB12-550-125-SC	5-1/4	5-1/2	1-1/4	17.63
PB12-575-050-SC	5-1/2	5-3/4	1/2	13.48
PB12-575-062-SC	5-1/2	5-3/4	5/8	14.35
PB12-575-075-SC	5-1/2	5-3/4	3/4	14.83
PB12-575-100-SC	5-1/2	5-3/4	1	19.16
PB12-600-037-SC	5-3/4	6	3/8	11.65
PB12-600-050-SC	5-3/4	6	1/2	9.21
PB12-600-062-SC	5-3/4	6	5/8	9.84
PB12-600-075-SC	5-3/4	6	3/4	9.55
PB12-600-100-SC	5-3/4	6	1	12.47
PB12-600-125-SC	5-3/4	6	1-1/4	18.58
PB12-600-150-SC	5-3/4	6	1-1/2	19.16
PB12-625-050-SC	6	6-1/4	1/2	14.23
PB12-625-062-SC	6	6-1/4	5/8	14.83
PB12-625-075-SC	6	6-1/4	3/4	15.78
PB12-625-100-SC	6	6-1/4	1	12.67
PB12-625-150-SC	6	6-1/4	1-1/2	20.11
PB12-650-050-SC	6-1/4	6-1/2	1/2	10.59
PB12-650-062-SC	6-1/4	6-1/2	5/8	10.59
PB12-650-075-SC	6-1/4	6-1/2	3/4	13.28
PB12-650-100-SC	6-1/4	6-1/2	1	13.48
PB12-650-150-SC	6-1/4	6-1/2	1-1/2	20.98
PB12-675-100-SC	6-1/2	6-3/4	1	21.76
PB12-700-050-SC	6-3/4	7	1/2	10.59
PB12-700-062-SC	6-3/4	7	5/8	10.59

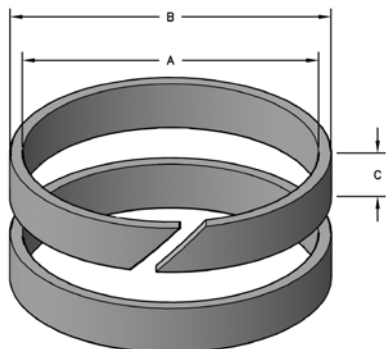


STYLE PB POWERBANDS™ 1/8" THICK

Part Number	A Nom. ID	B Nom. OD	C Nom. Ht	List Price
PB12-700-075-SC	6-3/4	7	3/4	12.14
PB12-700-100-SC	6-3/4	7	1	18.08
PB12-700-150-SC	6-3/4	7	1-1/2	30.62
PB12-725-100-SC	7	7-1/4	1	27.64
PB12-750-050-SC	7-1/4	7-1/2	1/2	10.59
PB12-750-062-SC	7-1/4	7-1/2	5/8	12.37
PB12-750-075-SC	7-1/4	7-1/2	3/4	12.37
PB12-750-100-SC	7-1/4	7-1/2	1	27.87
PB12-800-050-SC	7-3/4	8	1/2	11.48
PB12-800-062-SC	7-3/4	8	5/8	23.67
PB12-800-075-SC	7-3/4	8	3/4	16.28
PB12-800-100-SC	7-3/4	8	1	27.87
PB12-825-100-SC	8	8-1/4	1	35.42
PB12-850-050-SC	8-1/4	8-1/2	1/2	28.51
PB12-850-100-SC	8-1/4	8-1/2	1	37.26
PB12-875-100-SC	8-1/2	8-3/4	1	38.90
PB12-900-075-SC	8-3/4	9	3/4	37.93
PB12-900-100-SC	8-3/4	9	1	38.12
PB12-925-100-SC	9	9-1/4	1	60.26
PB12-950-100-SC	9-1/4	9-1/2	1	62.18
PB12-1000-050-SC	9-3/4	10	1/2	65.07
PB12-1000-075-SC	9-3/4	10	3/4	67.02
PB12-1000-100-SC	9-3/4	10	1	81.14
PB12-1050-100-SC	10-1/4	10-1/2	1	84.33
PB12-1100-100-SC	10-3/4	11	1	92.61
PB12-1200-100-SC	11-3/4	12	1	105.68

STYLE 614 NYLON ROD BEARINGS

Style 614 rod bearings are available in nylon material. These products are used extensively in hydraulic cylinders due to their low rate of wear and non-scoring properties. Excellent for those heavy duty applications that require a sturdy bearing.



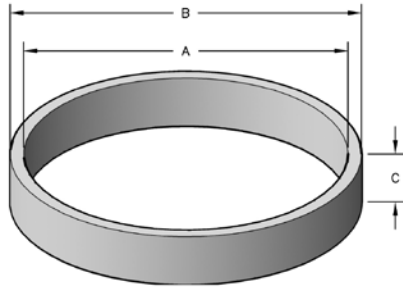
SEAL INFORMATION	
TEMPERATURE RANGE	-40° TO +275° F
TENSILE STRENGTH	25,000 PSI
COMPRESSIVE STRENGTH	26,000 PSI
PART NUMBER	(Prefix) - (ID) - (Width)

Part Number	A Nom. ID	B Nom. OD	C Nom. Ht	List Price
1/16" C/S				
614-1502-100	1-1/2	1-5/8	.975	\$5.78
614-1752-100	1-3/4	1-7/8	.975	5.92
614-2002-100	2	2-1/8	.975	6.33
614-2252-150	2-1/4	2-3/8	1.475	12.35
614-2502-150	2-1/2	2-5/8	1.475	11.00
614-3002-150	3	3-1/8	1.475	13.62
1/8" C/S				
614-1253-100	1-1/4	1-1/2	1	\$12.95
614-1503-100	1-1/2	1-3/4	1	5.90
614-1753-100	1-3/4	2	1	6.25
614-2003-099	2	2-1/4	1	6.45
614-2253-125	2-1/4	2-1/2	1-1/4	8.18
614-2253-155	2-1/4	2-1/2	1-35/64	9.77
614-2253-225	2-1/4	2-1/2	2-1/4	11.63
614-2503-125	2-1/2	2-3/4	1-1/4	7.81
614-2503-155	2-1/2	2-3/4	1-35/64	10.89
614-2753-155	2-3/4	3	1-35/64	18.15
614-3253-155	3-1/4	3-1/2	1-35/64	11.27
3/16" C/S				
614-3123-075	3-1/8	3-1/2	3/4	\$17.31
614-3123-084	3-1/8	3-1/2	.845	16.34
614-3253-037	3-1/4	3-5/8	3/8	16.95
614-3253-100	3-1/4	3-5/8	1	40.88
1/4" C/S				
614-1254-084	1-1/4	1-3/4	27/32	\$13.62
614-1254-100	1-1/4	1-3/4	1	16.52
614-1504-058	1-1/2	2	.58	16.78
614-1504-075	1-1/2	2	3/4	16.40
614-1754-040	1-3/4	2-1/4	7/16	6.56
614-1754-058	1-3/4	2-1/4	.58	6.73
614-1754-075	1-3/4	2-1/4	3/4	9.14
614-1754-087	1-3/4	2-1/4	7/8	34.30
614-2004-050	2	2-1/2	1/2	10.06
614-2004-058	2	2-1/2	.58	7.45

STYLE 614 NYLON ROD BEARINGS

Part Number	A Nom. ID	B Nom. OD	C Nom. Ht	List Price
614-2004-070	2	2-1/2	.7	64.26
614-2004-075	2	2-1/2	3/4	9.92
614-2004-100	2	2-1/2	1	16.03
614-2254-058	2-1/4	2-3/4	.58	12.25
614-2254-075	2-1/4	2-3/4	3/4	12.25
614-2504-025	2-1/2	3	1/4	8.49
614-2504-040	2-1/2	3	13/32	16.13
614-2504-058	2-1/2	3	.58	6.84
614-2504-075	2-1/2	3	3/4	10.35
614-2504-100	2-1/2	3	1	32.92
614-2754-100	2-3/4	3-1/4	1	18.56
614-3004-046	3	3-1/2	15/32	7.71
614-3004-050	3	3-1/2	1/2	7.92
614-3004-075	3	3-1/2	3/4	13.14
614-3004-100	3	3-1/2	1	16.42
614-3004-150	3	3-1/2	1-1/2	21.27
614-3504-025	3-1/2	4	1/4	6.15
614-3504-046	3-1/2	4	15/32	7.12
614-3504-100	3-1/2	4	1	49.93
614-3754-075	3-3/4	4-1/4	3/4	52.30
614-3754-100	3-3/4	4-1/4	1	20.83
614-4004-025	4	4-1/2	1/4	6.25
614-4004-037	4	4-1/2	3/8	29.35
614-4004-075	4	4-1/2	3/4	13.14
614-4004-084	4	4-1/2	.845	19.19
614-4004-093	4	4-1/2	15/16	29.21
614-4004-100	4	4-1/2	1	17.66
614-4004-150	4	4-1/2	1-1/2	36.19
614-4504-025	4-1/2	5	1/4	8.68
614-4754-100	4-3/4	5-1/4	1	21.31
614-4754-200	4-3/4	5-1/4	2	45.33
614-5004-075	5	5-1/2	3/4	13.85
614-5004-084	5	5-1/2	.845	23.99
614-5004-093	5	5-1/2	15/16	30.19
614-5004-100	5	5-1/2	1	21.83
614-5754-100	5-3/4	6-1/4	1	22.51
614-6004-037	6	6-1/2	3/8	11.53
614-6004-075	6	6-1/2	3/4	16.37
614-6004-084	6	6-1/2	.845	21.31
614-6004-093	6	6-1/2	15/16	31.73
614-6004-100	6	6-1/2	1	23.03
614-7004-075	7	7-1/2	3/4	17.82
614-8004-075	8	8-1/2	3/4	21.59
5/16" C/S				
614-1255-150	1-1/4	1-7/8	1-1/2	\$20.70
614-1505-150	1-1/2	2-1/8	1-1/2	31.63
614-2755-100	2-3/4	3-3/8	1	17.60
614-3755-100	3-3/4	4-3/8	1	17.63
614-4005-100	4	4-5/8	1	49.07
614-4755-100	4-3/4	5-3/8	1	27.03
614-5755-100	5-3/4	6-3/8	1	31.09
614-9375-100	9-3/8	10	1	106.96
3/8" C/S				
614-8256-075	8-1/4	9	3/4	\$40.90
614-9006-075	9	9-3/4	3/4	75.93

STYLE 615 PHENOLIC BEARINGS



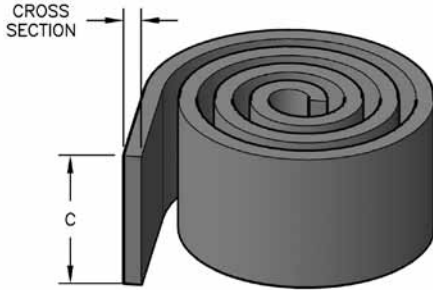
SEAL INFORMATION	
TEMPERATURE RANGE	-40° TO +250° F
TENSILE STRENGTH	10,600 PSI
COMPRESSIVE STRENGTH	16,000 PSI
SPEED	3 FT/SEC
PART NUMBER	(Prefix)-(OD) (CS)-(Width)

Part Number	A Nom. ID	B Nom. OD	C Nom. Ht	List Price
615-1254-075	1-1/4	1-3/4	3/4	\$14.15
615-2253-100	2-1/4	2-1/2	1	11.29
615-2504-150	2-1/2	2-3/4	1-1/2	20.70
615-2753-138	2-3/4	3	1.385	33.54
615-3753-175	3-3/4	4	1.74	62.28
615-10533-700	10.28	10.53	7	189.20
615-11753-699	11-1/2	11-3/4	7	219.60

FLEXIBLE GUIDE BEARINGS - FILLED PTFE

Flexible Guide Bearings are strips of filled PTFE. The material can be cut to any length to fit any rod or bore size without losing its concentricity. The filler material is shown below. **NOTE:** Glass filled material has a thickness tolerance of $\pm .010$ ". Bronze filled tolerance is $\pm .0025$ ".

B= BRONZE FILLED PTFE

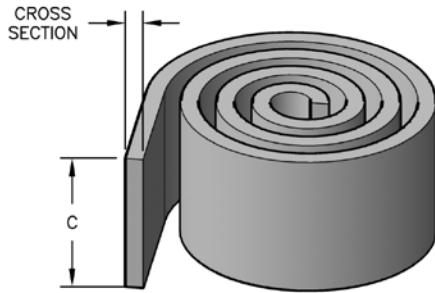


SEAL INFORMATION	
MATERIAL	GLASS FILLED 60% BRONZE FILLED PTFE
TEMPERATURE RANGE	-50° TO +400° F
TENSILE STRENGTH	2,100 PSI
COMPRESSIVE STRENGTH	1,500 PSI
SPEED	12 FT/SEC
PART NUMBER	(Prefix) - (Width)

Part Number	C Nom. Ht	Nom. Cross Section	List Price
606T-025	1/4	1/16	\$19.37
612T-025B	1/4	1/8	20.32
606T-037	3/8	1/16	20.66
612T-037B	3/8	1/8	14.14
606T-050	1/2	1/16	21.82
612T-050	1/2	1/8	15.14
612T-050B	1/2	1/8	33.92
606T-062	5/8	1/16	16.81
612T-062	5/8	1/8	18.96
612T-062B	5/8	1/8	39.46
606T-075	3/4	1/16	24.12
609T-075	3/4	3/32	22.33
612T-075	3/4	1/8	37.82
612T-075B	3/4	1/8	43.34
606T-100	1	1/16	27.46
609T-100	1	3/32	24.08
612T-100	1	1/8	38.02
612T-100B	1	1/8	53.33
612T-112	1-1/8	1/8	42.41
609T-125	1-1/4	3/32	38.27
612T-150	1-1/2	1/8	50.86

FLEXIBLE GUIDE BEARINGS - POLYESTER RESIN

Manufactured using woven fabric-reinforced polyester resin, this material produces a dimensionally accurate rectangular strip which can be cut to any length. Low coefficient of friction and high compressive strength makes it an ideal bearing material. A common radial thickness of 1/8 in. allows the stacking of various widths. Size reference is marked every 6 in. on the strip. Available by the foot or rolls of 16 feet. Cutting is made easy by using Anvil type pruning shears. Wall tolerance $\pm .002$ in., radial wall thickness = 0.124 to 0.121 in. TQ = Turquoise in color. Standard 612F part numbers are gray in color.

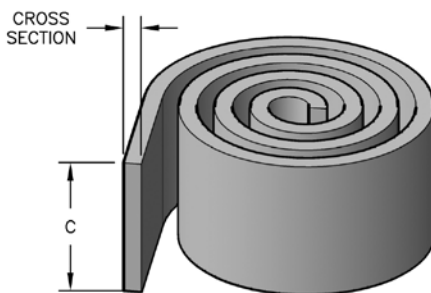


SEAL INFORMATION	
MATERIAL	FABRIC REINFORCED POLYESTER
TEMPERATURE RANGE	-40° TO +250° F
TENSILE STRENGTH	8,000 PSI
COMPRESSIVE STRENGTH	24,000 PSI
SPEED	3 FT/SEC
PART NUMBER	(Prefix) - (Width)

Part Number	C Nom. Ht	Nom. Cross Section	List Price
612F-037	3/8	1/8	\$ 16.16
612F-037-TQ	3/8	1/8	16.16
612F-050	1/2	1/8	16.86
612F-050-TQ	1/2	1/8	20.10
612F-062	5/8	1/8	21.11
612F-062-TQ	5/8	1/8	20.10
612F-075	3/4	1/8	28.04
612F-075-TQ	3/4	1/8	26.69
612F-100	1	1/8	28.94
612F-100-TQ	1	1/8	30.65

BOXED FLEXIBLE GUIDE BEARINGS-POLYESTER RESIN

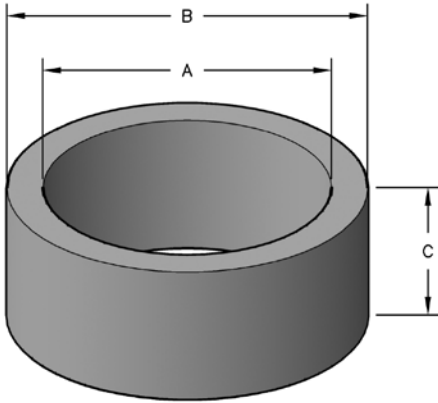
Our 612F style flexible guide bearings, with a 1/8" radial thickness, offered in a boxed quantity. The strip can be cut to any length using anvil type pruning shears. Product length is 32' per box.



SEAL INFORMATION	
MATERIAL	FABRIC REINFORCED POLYESTER
TEMPERATURE RANGE	-40° TO +250° F
TENSILE STRENGTH	8,000 PSI
COMPRESSIVE STRENGTH	24,000 PSI
SPEED	3 FT/SEC
PART NUMBER	(Prefix) - (Width)

Part Number	List Price
612F-050-506-BOX	\$448.20
612F-062-506-BOX	460.23
612F-075-506-BOX	516.08
612F-100-506-BOX	593.52
612F-037-506-BOX	349.05

STYLE 660 BRONZE ROD BEARINGS



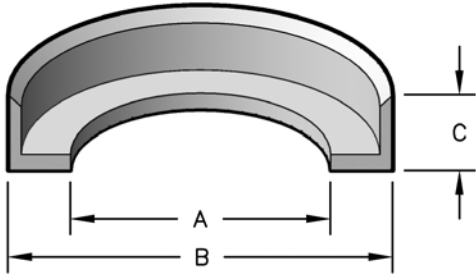
SEAL INFORMATION	
TENSILE STRENGTH	35,000 PSI
YIELD STRENGTH	18,000 PSI
PART NUMBER	(Prefix) - (ID) (CS) - (Width)

Part Number	A Nom. ID	B Nom. OD	C Nom. Ht	Nom. Cross Section	List Price
660-1004-125	1	1-1/4	1-1/4	1/8	\$55.42
660-1008-125	1	1-1/2	1-1/4	1/4	54.22
660-1754-100	1-3/4	2-1/4	1	1/4	106.17
660-4001-200-SC	4	4.2	2	.1	175.04
660-6001-300-SC	6	6.2	3	.1	226.72

STYLE FB FOLLOWER BEARINGS



These parts are used as companion pieces for Cascade vee sets, primarily as bearings.



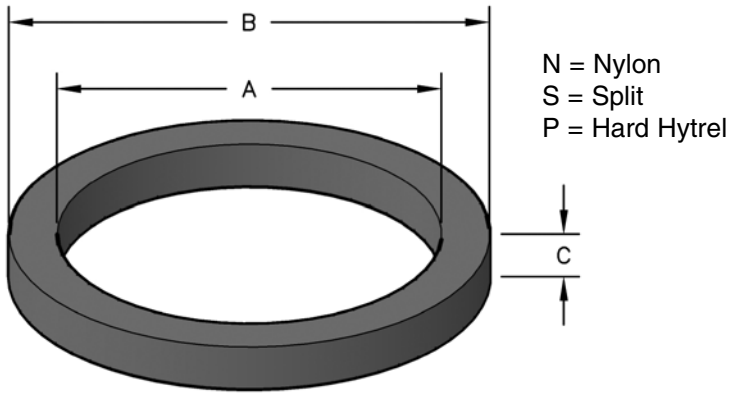
SEAL INFORMATION	
MATERIAL	60D POLYESTER
TEMPERATURE RANGE	-65° TO +220° F
SPEED	3 FT/SEC
PART NUMBER	(Prefix) - (Bore Diameter)

Part Number	A Nom. ID	B Nom. OD	J BORE DIAMETER	C HEIGHT	List Price
FB-175	1-1/4	1-3/4	1.750	.290	\$3.63
FB-200	1-1/2	2	2.000	.370	19.08
FB-225	1-3/4	2-1/4	2.250	.350	4.51
FB-250	2	2-1/2	2.500	.370	4.87
FB-300	2-1/2	3	3.000	.430	5.73
FB-325	2-3/4	3-1/4	3.250	.430	6.10
FB-350	3	3-1/2	3.500		6.42
FB-400	3-1/4	4	4.000	.615	7.88
FB-425	3-1/2	4-1/4	4.250	.625	8.83
FB-475	4	4-3/4	4.750	.625	11.51
FB-550	5	5-1/2	5.500	.440	14.97
FB-650	6	6-1/2	6.500	.440	17.42

Seal color may vary.

STYLE MB MODULAR BACK-UPS

These back-up rings, made from urethane or nylon, are commonly used as spacers for u-seals.



SEAL INFORMATION	
MATERIAL	URETHANE, 70 SHORE D
TEMPERATURE RANGE	-40° TO +250° F
SPEED	3 FT/SEC
PART NUMBER	(Prefix) (CS) - (ID) - (Width)

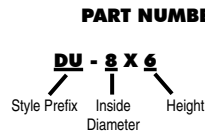
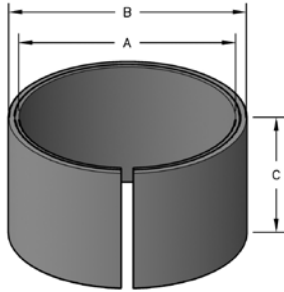
Part Number	A Nom. ID	B Nom. OD	C Nom. Ht	List Price
MB12-0.75-12-S	3/4	1	1/8	\$35.72
MB25-1.25-25	1-1/4	1-3/4	1/4	9.30
MB25-1.37-25	1-3/8	1-7/8	1/4	10.17
MB25-1.50-25	1-1/2	2	1/4	9.09
MB25-1.75-25	1-3/4	2-1/4	1/4	11.19
MB31-1.75-31	1-3/4	2-3/8	5/16	10.45
MB37-1.75-50	1-3/4	2-1/2	1/2	19.76
MB37-1.75-50N	1-3/4	2-1/2	1/2	8.41
MB37-1.75-56	1-3/4	2-1/2	9/16	19.76
MB31-1.87-31	1-7/8	2-1/2	5/16	12.49
MB18-2.00-18	2	2-3/8	3/16	9.30
MB25-2.00-25	2	2-1/2	1/4	12.13
MB37-2.00-25P	2	2-3/4	1/4	40.83
MB31-2.00-31	2	2-5/8	5/16	11.68
MB37-2.00-37	2	2-3/4	3/8	20.45
MB31-2.12-31	2-1/8	2-3/4	5/16	12.28
MB31-2.12-37	2-1/8	2-3/4	3/8	16.13
MB25-2.25-25	2-1/4	2-3/4	1/4	13.51
MB31-2.25-31	2-1/4	2-7/8	5/16	12.85
MB31-2.37-31	2-3/8	3	5/16	16.69
MB25-2.50-25	2-1/2	3	1/4	14.80
MB37-2.50-25P	2-1/2	3-1/4	1/4	31.57
MB31-2.50-31	2-1/2	3-1/8	5/16	18.41
MB37-2.62-50	2-5/8	3-3/8	1/2	28.54
MB37-2.62-50N	2-5/8	3-3/8	1/2	16.73
MB37-2.62-57	2-5/8	3-3/8	.575	28.54
MB37-2.75-25	2-3/4	3-1/2	1/4	21.03
MB25-3.00-25	3	3-1/2	1/4	15.00
MB37-3.00-37	3	3-3/4	3/8	24.53
MB50-3.00-50	3	4	1/2	44.14
MB37-3.12-37	3-1/8	3-7/8	3/8	28.54
MB25-3.25-25	3-1/4	3-3/4	1/4	15.85
MB25-3.50-25	3-1/2	4	1/4	15.85
MB37-3.50-25	3-1/2	4-1/4	1/4	30.30
MB37-3.50-37	3-1/2	4-1/4	3/8	35.13
MB37-3.50-44P	3-1/2	4-1/4	7/16	65.65
MB37-3.62-50N	3-5/8	4-3/8	1/2	17.35
MB37-3.62-56	3-5/8	4-3/8	9/16	37.88
MB43-3.87-25	3-7/8	4-3/4	1/4	16.06
MB25-4.00-25	4	4-1/2	1/4	21.14

STYLE MB MODULAR BACK-UPS

Part Number	A Nom. ID	B Nom. OD	C Nom. Ht	List Price
MB37-4.00-37	4	4-3/4	3/8	41.82
MB25-4.00-43	4	4-1/2	7/16	21.64
MB37-4.25-37	4-1/4	5	3/8	42.71
MB25-4.50-25	4-1/2	5	1/4	24.30
MB37-4.50-28N	4-1/2	5-1/4	.285	19.84
MB31-4.50-31	4-1/2	5-1/8	5/16	28.12
MB37-4.50-50	4-1/2	5-1/4	1/2	45.51
MB37-4.50-50N	4-1/2	5-1/4	1/2	31.15
MB43-4.50-62	4-1/2	5-3/8	5/8	42.46
MB43-4.75-31	4-3/4	5-5/8	5/16	33.48
MB37-4.75-37	4-3/4	5-1/2	3/8	48.91
MB37-4.75-37N	4-3/4	5-1/2	3/8	42.28
MB25-5.00-25	5	5-1/2	1/4	24.61
MB37-5.00-37	5	5-3/4	3/8	51.19
MB37-5.25-12	5-1/4	6	1/8	49.51
MB37-5.50-37	5-1/2	6-1/4	3/8	54.60
MB37-5.50-43NS	5-1/2	6-1/4	7/16	26.63
MB25-6.00-25	6	6-1/2	1/4	34.72
MB37-6.00-43NS	6	6-3/4	7/16	33.15
MB37-6.00-56	6	6-3/4	9/16	58.29
MB37-7.00-37	7	7-3/4	3/8	62.76

STYLE DU ROD BUSHINGS

With a steel body, bronze liner, and PTFE / lead overlay, these bushings possess excellent wearability and tremendous compressive strength.



SEAL INFORMATION	
MATERIAL	BRONZE LINING PTFE/LEAD OVERLAY STEEL BACKING
TEMPERATURE RANGE	-325° TO +536° F
SPEED	12 FT/SEC
COMPRESSIVE STRENGTH	44,000 PSI

Part Number	A Nom. ID	B Nom. OD	C Nom. Ht	Nom. Cross Section	List Price
DU-8-6	1/2	19/32	3/8	3/64	\$0.57
DU-8-8	1/2	19/32	1/2	3/64	0.70
DU-8-10	1/2	19/32	5/8	3/64	0.85
DU-9-12	9/16	21/32	3/4	3/64	1.07
DU-10-10	5/8	23/32	5/8	3/64	0.92
DU-10-14	5/8	23/32	7/8	3/64	1.34
DU-11-14	11/16	25/32	7/8	3/64	1.43
DU-12-12	3/4	7/8	3/4	1/16	1.34
DU-12-16	3/4	7/8	1	1/16	1.75
DU-16-12	1	1-1/8	3/4	1/16	1.91
DU-16-16	1	1-1/8	1	1/16	2.15
DU-16-24	1	1-1/8	1-1/2	1/16	3.09
DU-18-16A	1-1/8	1-9/32	1	5/64	2.52
DU-20-12A	1-1/4	1-13/32	3/4	5/64	1.86
DU-20-18	1-1/4	1-13/32	1-1/8	5/64	2.72
DU-20-28	1-1/4	1-13/32	1-3/4	5/64	4.07
DU-22-16	1-3/8	1-17/32	1	5/64	2.62
DU-22-28A	1-3/8	1-17/32	1-3/4	5/64	4.43
DU-24-12	1-1/2	1-21/32	3/4	5/64	2.15
DU-24-16	1-1/2	1-21/32	1	5/64	2.96
DU-24-20	1-1/2	1-21/32	1-1/4	5/64	3.52
DU-26-24	1-5/8	1-25/32	1-1/2	5/64	4.44
DU-28-16	1-3/4	1-15/16	1	3/32	3.53
DU-28-28	1-3/4	1-15/16	1-3/4	3/32	5.85
DU-30-16	1-7/8	2-1/16	1	3/32	3.83
DU-32-12	2	2-3/16	3/4	3/32	3.02
DU-32-20	2	2-3/16	1-1/4	3/32	4.94
DU-32-32	2	2-3/16	2	3/32	7.67
DU-36-24	2-1/4	2-7/16	1-1/2	3/32	6.51
DU-36-32	2-1/4	2-7/16	2	3/32	8.58
DU-36-40	2-1/4	2-7/16	2-1/2	3/32	10.61
DU-40-32	2-1/2	2-11/16	2	3/32	9.49
DU-40-40	2-1/2	2-11/16	2-1/2	3/32	11.72
DU-40-56	2-1/2	2-11/16	3-1/2	3/32	16.16
DU-44-40	2-3/4	2-15/16	2-1/2	3/32	12.80
DU-44-56	2-3/4	2-15/16	3-1/2	3/32	17.66
DU-48-16	3	3-3/16	1	3/32	5.72
DU-48-48	3	3-3/16	3	3/32	16.61

STYLE DU ROD BUSHINGS

Part Number	A Nom. ID	B Nom. OD	C Nom. Ht	Nom. Cross Section	List Price
DU-48-60	3	3-3/16	3-3/4	3/32	20.97
DU-56-60	3-1/2	3-11/16	3-3/4	3/32	24.80
DU-64-80	4	4-3/16	5	3/32	38.54
DU-80-60	5	5-3/16	3-3/4	3/32	35.45